



LABELING PACKAGING



Design and printing of self-adhesive lab flexographic, offset or digital method. We supply labels on rolls, sheets and single die cut. A large selection of materials: films, papers, BIOdegradable and recyclable materials.

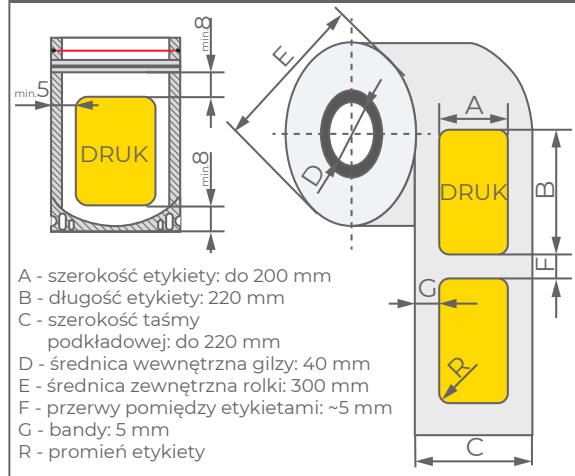
Label application

We offer the application of self-adhesive labels on ready-made packages. Labeling machines allow for quick and precise sticking of labels.

✓ OPTIONS:

- lamination with matte or glossy foil
- matte varnish, glossy varnish, selective varnish
- cold stamping 3D (gold, silver)
- cold stamping 3D MAX (gold, silver)
- 3D varnish
- 3D MAX varnish
- materials: white semi-gloss paper, silver paper, gold paper, white PP foil, transparent PP foil, silver PP foil

Wymiary (mm) i parametry techniczne



Labels / banderoles for cups

An alternative to printing on cardboard cups is to make labels / banderoles.



- + Short lead time
- + Small quantities



E-SHOP www.coffee-service.pl



DOYPACK

NEWS DOYPACK WINDOW PLUS PRO
(+ rounded edges + cut O + laser cutting)



GUSSET POUCHES



FLAT BOTTOM BOX



STABILO, STABILO BOTTOM

STABILO ZIP PRO + zipper P + cut O + laser cutting + valve
STABILO ZIP + zipper P + cut O + laser cutting + valve



FLAT BOTTOM



STANDING POUCHES BOTTOM



BIOdegradable packaging



SACHETS



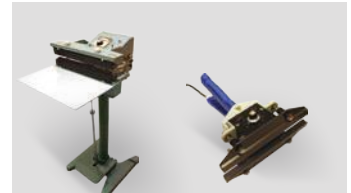
TUBES



CUPS + printed banderoles



FILMS AND LAMINATES



HEAT SEALING MACHINES



CLOSING ACCESSORIES