

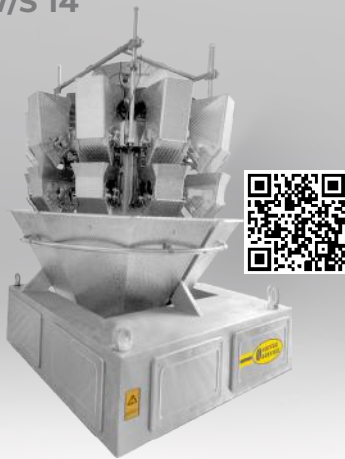
Combination
weigher
DWK/W/S 14



Combination
weigher DWK/S 10



Combination
weigher DWK/S 10 MINI



Combination weigher
DWK 10 MG/STICKY
+ teflon



Combination
weigher
DWK/S 24 MIX 4

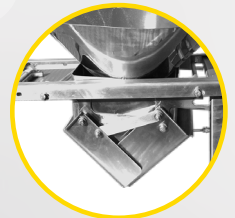
Model	Quantity of heads (pcs)	Bucket volume (l)	Weighing range (g)
DWK MG/STICKY	10	2,5	10-3000
DWK/W/S 10	10	2,5	15-1000
DWK/S 10	10	1,6	15-1000
DWK/S 10 M	10	3	15-1000
DWK/S 14	14	1,6	15-2000
DWK/S 14 M	14	3	15-2000
DWK/W/S 14	14	2,5	15-2000
DWK/S 18 MIX 3	18	0,8	15-500
DWK/S 24 MIX 4	24	0,8	15-500
DWK/S 30 MIX 5	30	0,8	15-500

OPTIONS:

- platform
- dust-protection cover
- free-standing version
- waterproof performance IP 66
- dimple plate
- system FINE to fine products
- shock absorption layer
- rotary top cone
- INOX 316
- teflon
- customized inclination of buckets
- incorrect weight rejector
- timing hopper



Combination
weighers
DWK



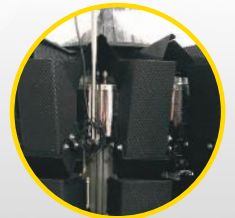
timing hopper



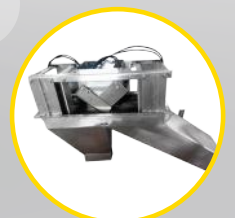
dimple plate



system FINE



teflon



incorrect weight
rejector + timing
hopper