

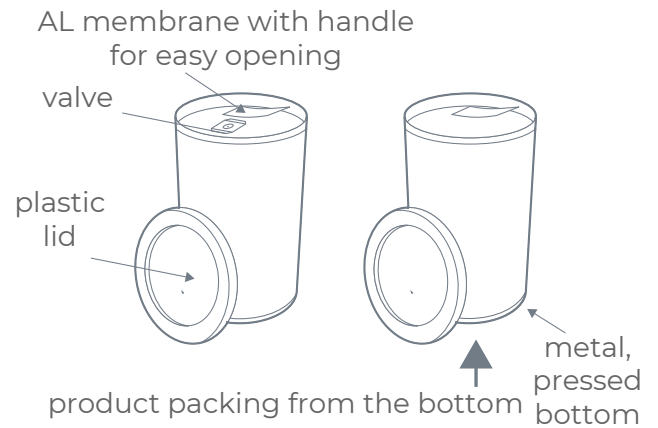


Standard cardboard TUBES. Also available as an option with a valve. The packages are made of cardboard glued with a thickness of ~ 1.1 mm. The interior is lined with aluminum foil. The tubes are equipped with an aluminum membrane with a handle for easy opening. Sold complete with a plastic lid and a metal bottom for self-assembly.



Standard TUBES

| Name Material | | diameter (mm) | ~73 | ~99 |
|------------------|---|---------------|------|------|
| | | height (mm) | ~120 | ~160 |
| TUBES | WHITE (with white lid and a metal bottom) | | ● | ● |
| | | valve | ● | ● |
| | ECO (with white lid and a metal bottom) | | ● | ● |
| | | valve | ● | ● |
| | BLACK MAT (with black cap and a metal bottom) | | ● | ● |
| | | valve | ● | ● |



RELATED SERVICES AND PRODUCTS

